

**PRODUCT INNOVATION**

# LED NAVIGATION LIGHT SERIES 65

The innovation that provides greater safety



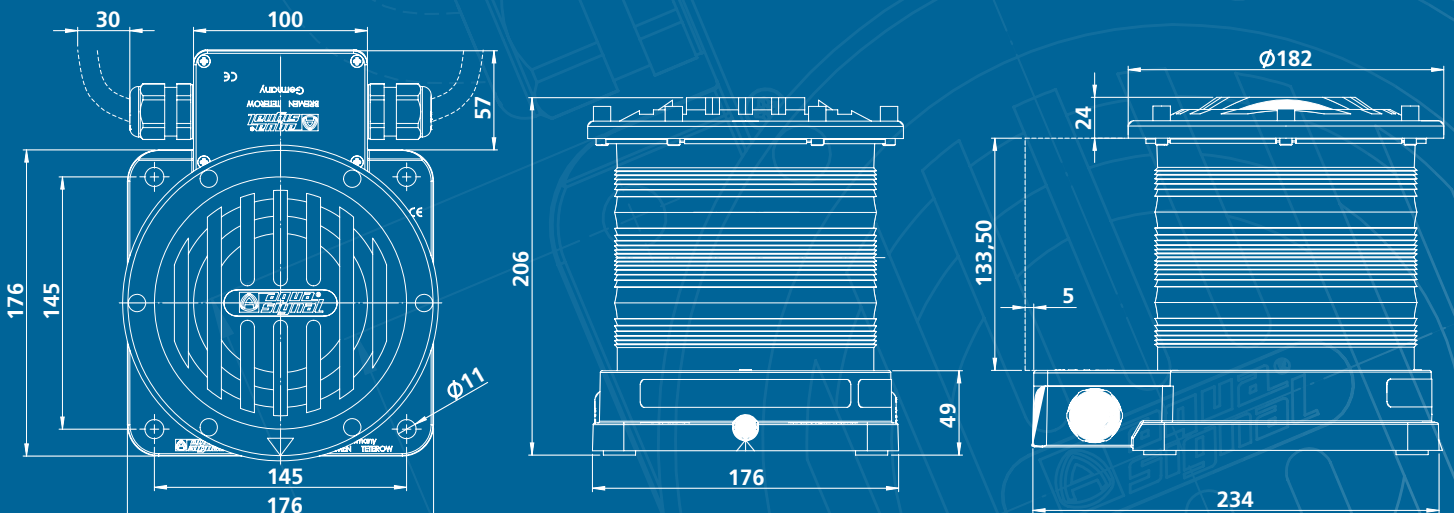
# SAFETY THROUGH VISIBILITY

aqua signal has launched a navigation light, incorporating innovative LED technology, for commercial shipping on the market. Compared with conventional navigation lights, Series 65 sets brand new standards in terms of efficiency, lifetime, cost effectiveness and maintenance.

## Series 65 at a glance

- **Long lifetime = minimum maintenance**  
Depending on the surrounding temperature, the light has a lifetime of up to 100,000 hours per system. Complex and cost-intensive maintenance is kept to a minimum.
- **Lower energy consumption is environmentally friendly and saves money**  
Series 65 consumes less than 10 W of power. That represents a reduction of 85% in comparison with conventional light bulbs.
- **Wide voltage input**  
For international mains voltages from 115 V to 230 V AC, 50/60 Hz ( $\pm 20\%$ )
- **Integrated surge protection**  
Indirect lightning strikes or power surges do not impact on performance.
- **High level of reliability**  
The main and back-up systems are compactly integrated into the light and are dc-decoupled from each other.
- **Optimized thermal management**  
The effective coolant in the compact housing minimizes the effect of outdoor temperatures on the lifetime of the LED system.

- **Simple modification**  
Hassle-free upgrades plus parallel monitoring of LED and conventional lights using aqua signal's modified control panel.



# Technical data

- **Light source:**

High power LEDs, mounted on aluminum rod:  
4 LEDs for side and stern lights  
8 LEDs for masthead and all-round lights  
Upper section: main system, lower section: back-up system

- **Voltage:**

24 V DC ( $\pm 20\%$ )  
115 V to 230 V AC ( $\pm 20\%$ )  
electro-magnetically compatible, in accordance with EN 60945

- **Protection grade:**

IP 66

- **Visibility:**

3 nm for port/starboard/stern/all-round signaling  
6 nm for masthead  
5 nm for maneuvering light

- **Housing:**

Glass fiber-reinforced polycarbonate. Other components of non-corroding materials. Housing self-ventilated. Nonmagnetic, seawater-resistant.

- **Lid:**

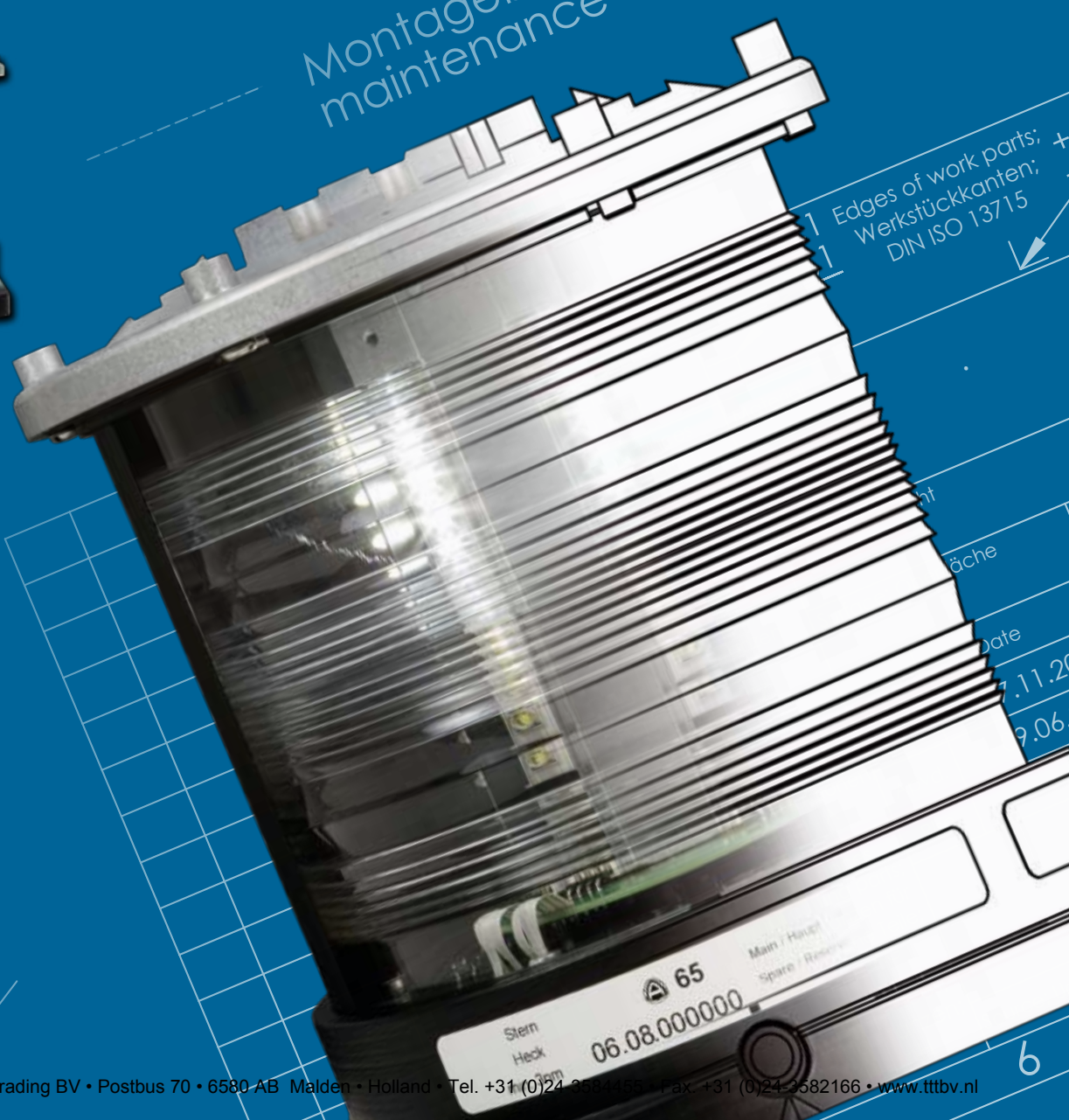
Aluminum, seawater-resistant

- **Mounting:**

4 hole mounting with connection box,  
2 x M25 x 1.5 cable entry

- **Certification:**

Federal Maritime and Hydrographic Agency (BSH)  
Panel: Germanischer Lloyd



Montagebereich/  
maintenance envelope

1 Edges of work parts;  
1 Werkstückkanten;  
DIN ISO 13715

65  
06.08.000000  
Main / Haupt  
Spare / Reserve  
Stern  
Heck

## Series 65 part numbers

LED navigation light	Port	Starboard	Stern	Stern yellow	Masthead
<b>Visibility</b>	<b>3 nm</b>	<b>3 nm</b>	<b>3 nm</b>	<b>3 nm</b>	<b>6 nm</b>
115/230 V AC (Reserve 115/230 V AC)	3664205000	3663105000	3662705000	3662405000	3661005000
24 V DC (Reserve 24 V DC)	3664203000	3663103000	3662703000	3662403000	3661003000
115/230 V AC (Reserve 24 V AC)	3664206000	3663106000	3662706000	3662406000	3661006000

LED navigation light	All-round white Morse	All-round yellow	All-round red	All-round green	All-round white Maneuver
<b>Visibility</b>	<b>3 nm</b>	<b>3 nm</b>	<b>3 nm</b>	<b>3 nm</b>	<b>5 nm</b>
115/230 V AC (Reserve 115/230 V AC)	3660705000	3660405000	3660205000	3660105000	3660005000
24 VDC (Reserve 24 V DC)	3660703000	3660403000	3660203000	3660103000	3660003000
115/230 V AC (Reserve 24 V AC)	3660706000	3660406000	3660206000	3660106000	3660006000

Part numbers for lights with black housing. Housings in white and brass finish upon request.



aqua signal Aktiengesellschaft  
 Von-Thünen-Straße 12  
 D-28295 Bremen  
 Germany  
 Phone: +49 421 4893-0  
 Fax: +49 421 4893-210/310  
 Email: info@aquasignal.de

[www.aquasignal.de](http://www.aquasignal.de)

Montagebeleg  
 maintenance

Surface texture must  
 be referred to  
 Oberflächenzeichne  
 nach: EN ISO 132

9420103300 Rev. 01 1.000 09/2008 Technical modifications reserved without prior notice